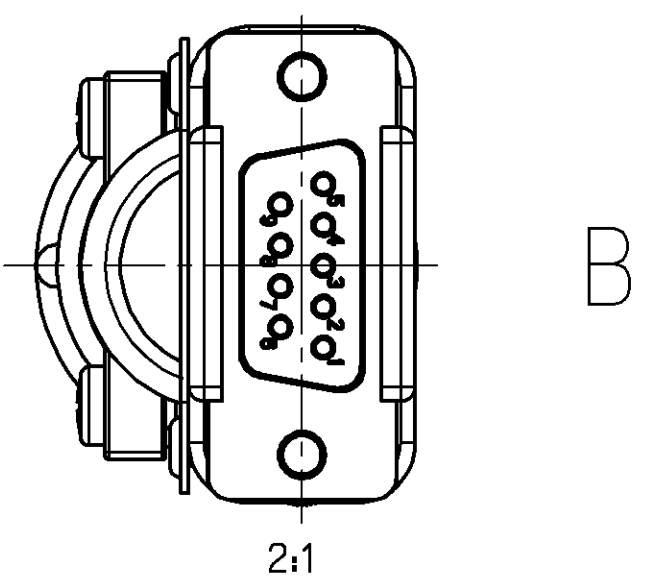
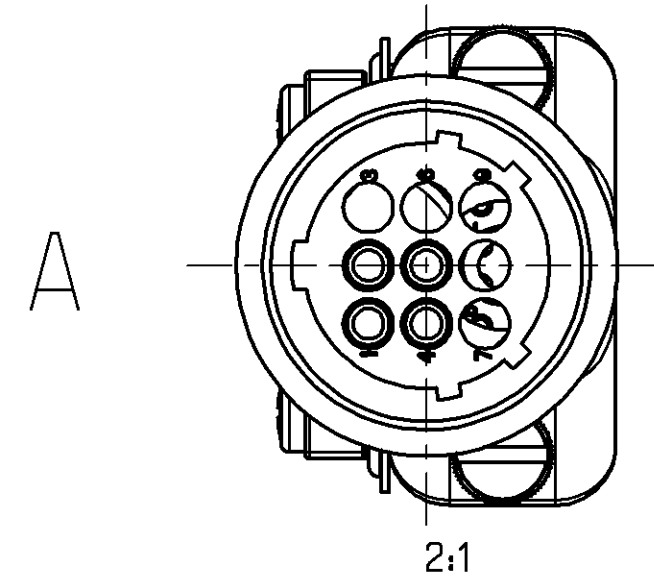
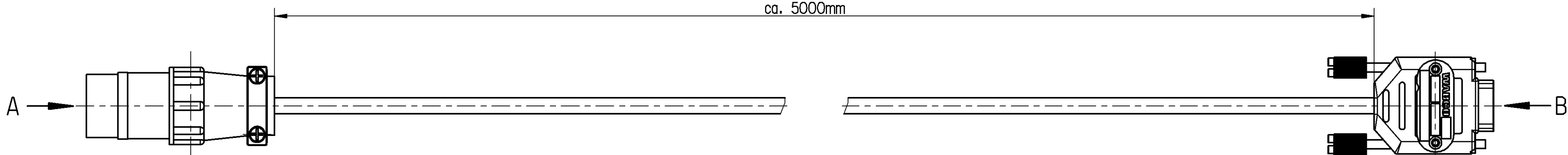


NON È PERMESSO CONSERVARE A ERZI O RIPRODURRE QUESTO DOCUMENTO, NE UTILIZZARE IL CONTENUTO O RENDERSI RESPONSABILI PER QUALSIASI DANNO, PERDITA O LESIONE, IN TUTTI I DIRITTI, DERIVANTI DA BREVETTI O MODELLI. COPIING OF THIS DOCUMENT AND GIVING IT TO OTHERS AND THE USE OR COMMUNICATION OF THE CONTENTS THEREOF, ARE PROHIBITED. ANY VIOLATION OF THESE PROHIBITIONS WILL BE CONSIDERED AS A LIABILITY TO THE PAYMENT OF DAMAGES. ALL RIGHTS ARE RESERVED IN THE EVENT OF THE GRANT OF PATENT OR REGISTRATION OF A UTILITY MODEL OR DESIGN. THIS DOCUMENT IS THE SUBJECT OF COPYRIGHT.



WORKING LENGHT  
 ARBEITSLAENGE  
 LONGEUR DE TRAVAIL  
 LUNGHEZZA DI LAVARO  
 CA. 5000 MM

THERMAL RANGE OF APPLICATION  
 THERMISCHER ANWENDUNGSBEREICH  
 GAMME D'APPLICATION THERMIQUE  
 CAMPO DI APPLICAZIONE TERMICA  
 -40° C .....+70° C

VOLTAGE RANGE  
 SPANNUNGSBEREICH  
 GAMME DE TENSION  
 CAMPO DI TENSIONE  
 0.....32 V

TYPE OF PROTECTION  
 SCHUTZART  
 MODE DE PROTECTION  
 TIPO DI PROTEZIONE  
 IP 20

CHAMBER IN: A KAMMER IN: A CHAMBRE EN: A CAMERA IN: A	CONTACT: A KONTAKT: A CONTACT: A CONTATTO: A	WIRE COLOUR ADERFARBE FIL COLOUR FILO COLORE	SIGNAL	CHAMBER IN: B KAMMER IN: B CHAMBRE EN: B CAMERA IN: B
1	894 512 987 4	ROT	+UB	1
2	894 512 987 4	BRAUN	GROUND	2
4	894 512 987 4	GRUEN	CAN-L	4
5	894 512 987 4	GELB	CAN-H	5

GENERAL SPECIFICATION: JED-334-0		Pro/ENGINEER DRAWING COPYRIGHT		<b>WABCO</b>	
FURTHER TECHNICAL DATA:		DATE		SIGNATURE	
DOC. CODE:		SHEET: TO		DRAWN	
GENERAL TOLERANCES		03-10-01 RZOK		CHECKED	
RANGE OF NOMINAL DIMENSIONS ( ± mm)		03-10-01 EILERT		EXPERT CODE	
CLASS 1)	≤ 50	> 50 ≤ 180	> 180 ≤ 400	> 400	7 7 8
FINE	0.5	1.0	1.5	2.0	±3°
MEDIUM	1.0	2.0	3.0	4.0	
COARSE	2.0	3.5	5.0	6.5	
TAPPED HOLES ACC. ISO 4039 / JED-152		DCN-NO.		REV.	
1) TOLERANCE CLASS APPLIED CROSSMARKED		DATE		DATE	
MASS		SCALE		PRODUCT IDENTIFICATION NO.	
0.000 KG		1:1		446 300 361 0	
SIZE		TRI		DOC. CODE	
A 2		630		605	
FUNCTION CODE		SHAPE CODE		SHEET	
-		-		1/1	
REPLACEMENT FOR		-		-	

DWG.: 4463003610\_605\_...1 PROTOTYPE  
 DWG.: 4463003610\_A02 n.7