

WORKING MEDIUM : BRAKE FLUID  
 BETRIEBSMEDIUM : BREMSFLUESSIGKEIT DOT5-1; DOT4 - FMVSS 116  
 FLUIDE D'UTILISATION: FLUIDE HYDRAULIQUE GLYC.-ALC.  
 FLUIDO D'ESERCIZIO : FLUIDO IDRAULICO GLIC.-ALC.

TEMPERATURE RANGE OF MEDIUM -40°C UP TO +80°C  
 DRUCKMITTEL TEMPERATURBEREICH -40°C BIS +80°C  
 PLAGE DE TEMPERATURE DU FLUIDE -40°C A +80°C  
 GAMMA DI TEMPERATURA DEL FLUIDO -40°C A +80°C

RANGE OF AMBIENT TEMPERATURE -40°C UP TO +80°C (TEMPORARILY +100°C)  
 UMGEBUNGSTEMPERATURBEREICH -40°C BIS +80°C (KURZZEITIG +100°C)  
 PLAGE DE TEMPERATURE AMBIENTE -40°C A +80°C (DISCONTINU +100°C)  
 GAMMA DI TEMPERATURA AMBIENTE -40°C A +80°C (DISCONTINU +100°C)

TYPE OF CURRENT DIRECT CURRENT  
 STROMART GLEICHSTROM  
 NATURE DU COURANT COURANT CONTINU  
 NATURA DELLA CORRENTE CORRENTE CONTINUA

NOMINAL VOLTAGE : 12V  
 NENNSPANNUNG : 12V  
 TENSION NOMINALE : 12V  
 TENSIONE NOMINALE : 12V

TYPE OF PROTECTION ACC : IP 54  
 SCHUTZART : IP 54  
 MODE DE PROTECTION SUIVANT : IP 54  
 TIPO DI PROTEZIONE SECONDO : IP 54

STORAGE LIMITATION: DEVICES CLOSED WITH ORIGINAL PROTECTION CAPS 9 MONTH.  
 OBSERVE "USE BY DATE"  
 UNPACKED DEVICES MUST BE FILLED WITHIN 96 HOURS.

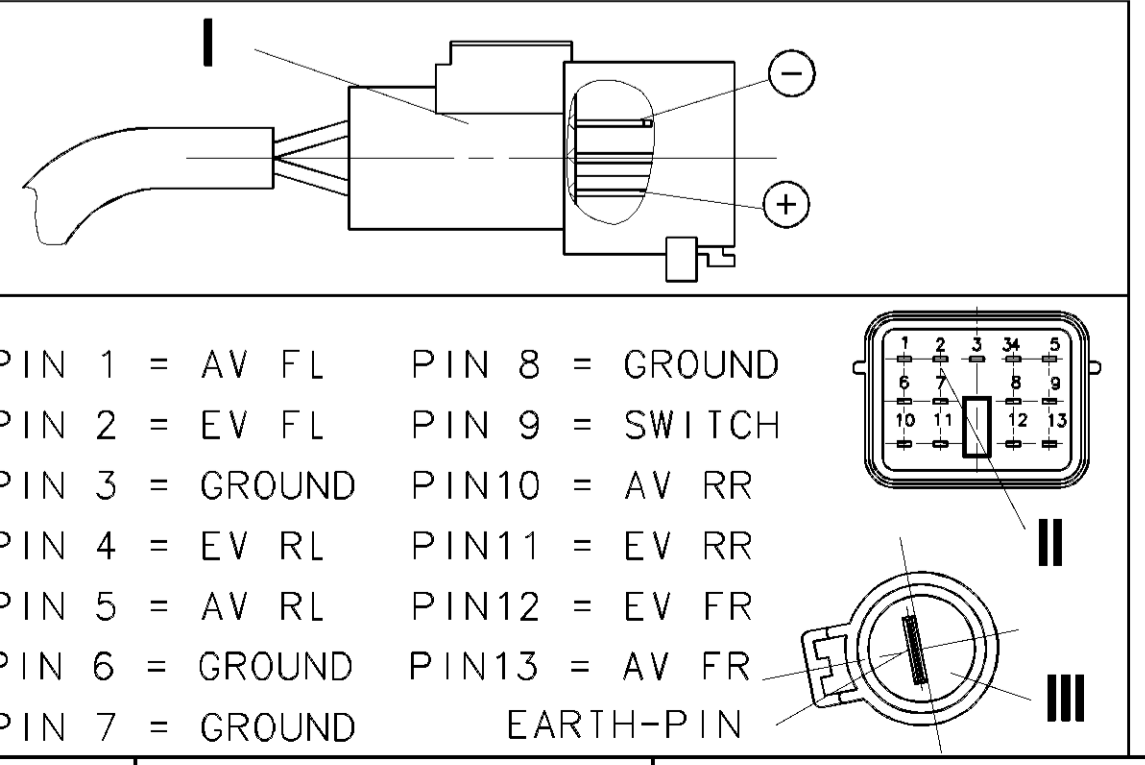
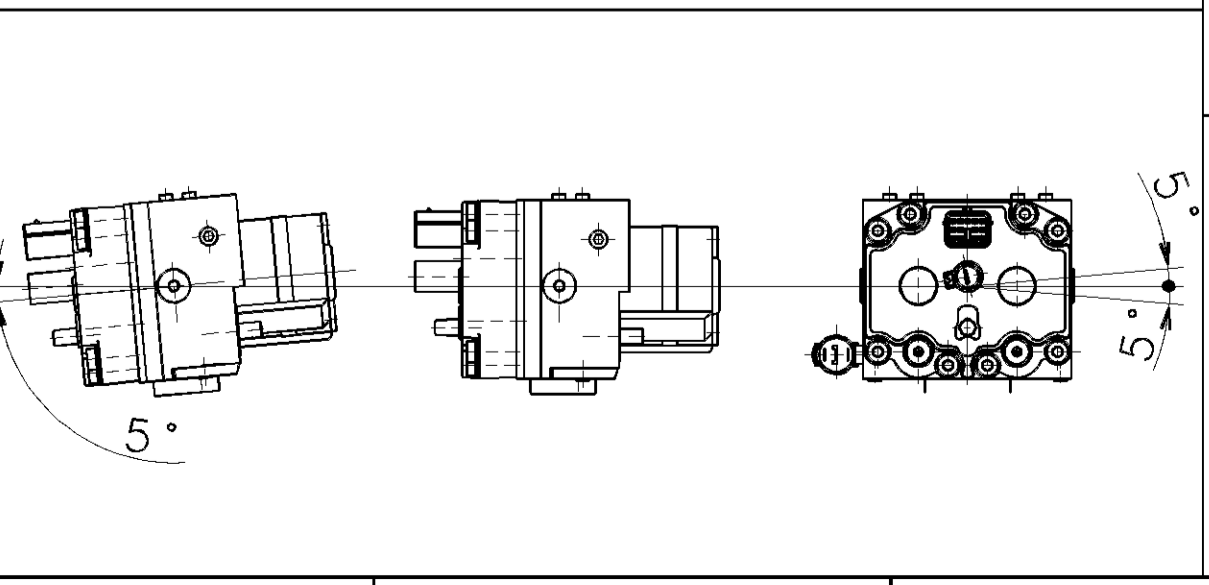
LAGERFAEHIGKEIT: MIT ORIGINALSCHUTZKAPPEN VERSCHLOSSENE GERAETE 9 MONATE  
 "USE BY DATE" BEACHTEN.  
 AUSGEPACKTE (GEOEFFNETE) GERAETE MUESSEN INNERHALB  
 96 STUNDEN BEFUELLT WERDEN.

SURFACE PROTECTION : STEEL PARTS ACC. TO JED 256/JED 257  
 OBERFLAECHENSCHUTZ : STAHLTEILE NACH JED 256/JED 257  
 PROTECTION DE SURFACE : PIECES EN ACIER SELON JED 256/JED 257  
 PROTEZIONE SUPERFICI : PEZZI DI ACCIAIO CONFORME A JED 256/JED 257

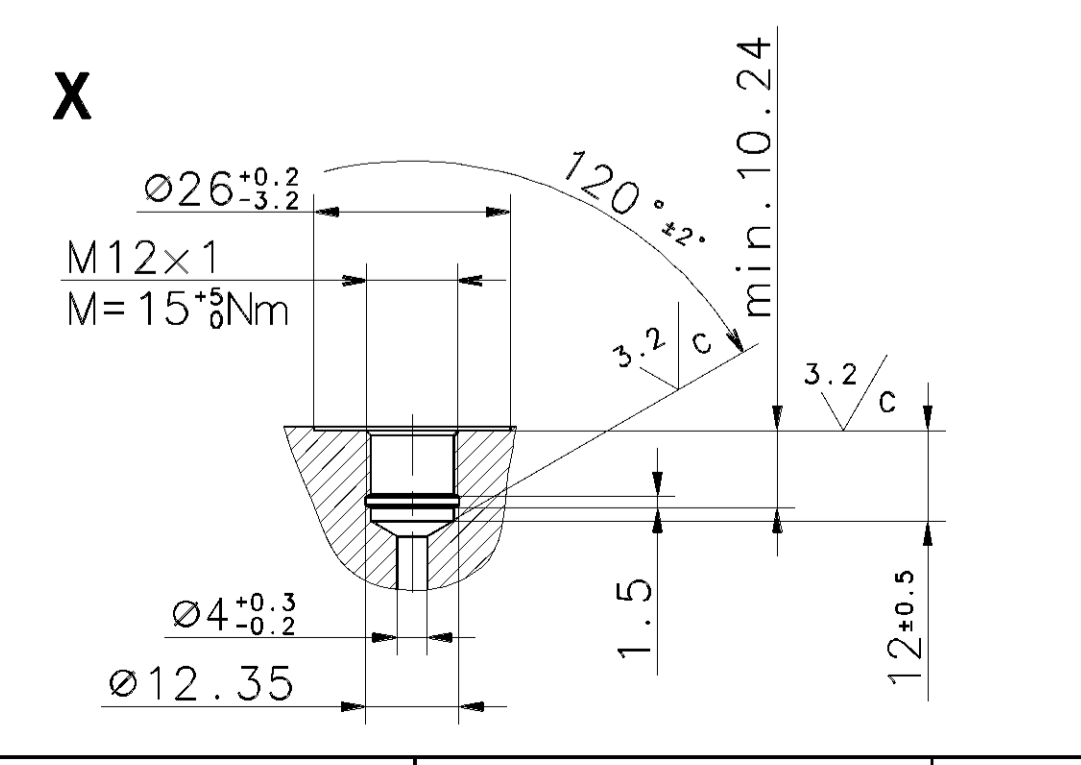
NO MARKING  
 NICHT GEKENNZEICHNET  
 NE PAS MARQUAGE  
 NON CONTRASSEGNO

- MC1** MASTERCYLINDER CIRCUIT 1  
HAUPTZYLINDER KREIS 1  
MAITRE CYLINDRE CIRCUIT 1  
CILINDRO PRINCIPALE CIRCUITTO 1
- MC2** MASTERCYLINDER CIRCUIT 2  
HAUPTZYLINDER KREIS 2  
MAITRE CYLINDRE CIRCUIT 2  
CILINDRO PRINCIPALE CIRCUITTO 2
- FL** FRONT AXLE-LEFT  
VORDERACHSE-LINKS  
ESSIEU AVANT-GAUCHE  
ASSE ANTERIORE-SINISTRA
- RR** REAR AXLE-RIGHT  
HINTERACHSE-RECHTS  
ESSIEU ARRIERE-DROITE  
ASSE POSTERIORE-DESTRA
- FR** FRONT AXLE-RIGHT  
VORDERACHSE-RECHTS  
ESSIEU AVANT-DROITE  
ASSE POSTERIORE-DESTRA
- RL** REAR AXLE-LEFT  
HINTERACHSE-LINKS  
ESSIEU ARRIERE-GAUCHE  
ASSE POSTERIORE-SINISTRA

INSTALLATION POSITION  
 EINBAULAGE  
 POSITION D'INSTALLATION  
 POSIZIONE DI MONTAGGIO



- PIN 1 = AV FL
- PIN 2 = EV FL
- PIN 3 = GROUND
- PIN 4 = EV RL
- PIN 5 = AV RL
- PIN 6 = GROUND
- PIN 7 = GROUND
- PIN 8 = GROUND
- PIN 9 = SWITCH
- PIN 10 = AV RR
- PIN 11 = EV RR
- PIN 12 = EV FR
- PIN 13 = AV FR
- EARTH-PIN



GENERAL SPECIFICATION: JED-334		075872	3x0	02-01-08	CADAM-DRAWING COPYRIGHT	<b>WABCO</b>
FURTHER TECHNICAL DATA: 478 407 020 0		069679	2xN	00-05-19		
DOC. CODE: 435/535 SHEET: 1 TO 7		064788	3xM	98-09-09	DATE	SIGNATURE
GENERAL TOLERANCES		064769	1xL	98-07-03	95-08-25	SONNTAG
RANGE OF NOMINAL DIMENSIONS (± mm)		064715	8xK	97-12-05	CHECKED:	95-08-25
CLASS	1)	062870	3xJ	97-07-31	STANDARDIZATION:	
	≤50	062830	6xH	97-06-17		
	>50	061164	2xG	97-01-08	MASS	SCALE
	≤180	061142	8xF	96-10-14	5.3	1:1
	>180	061136	32xE	96-09-18	KG	(2:1)
	≤400	061111	1xD	96-07-08	SIZE	I.R.I.
	>400				141	
TAPPED HOLES ACC. ISO 4039 / JED-152		DCH-NO.		REV.	DATE	
1) TOLERANCE CLASS APPLIED CROSSMARKED		DATE		PRODUCT IDENTIFICATION NO.		DOC. CODE SHEET
				478 407 020 0		605 1/1
				SHAPE CODE		REPLACEMENT FOR